

MULTI EVO-SP

MULTISTAGE CENTRIFUGAL PUMPS - SPECIAL

Multi EVO-SP is a multi-stage centrifugal horizontal pump with an inlet with axial thread and an outlet with radial thread. The innovative, high efficiency hydraulic system is connected to a motor of the latest generation with a mechanical seal. Particularly suitable for the pumping of sea water and pool water.

ADVANTAGES

The Multi EVO-SP series pumps feature the following advantages:

- Strong and resistant to salt water, it is the perfect partner for all pool cleaning devices
- High reliability - thanks to the durable and innovative design
- Silent - more comfort for the user thanks to its silent operation
- Compact shape

SPECIFICATIONS:

PUMP

- Hydraulic performance according to ISO 9906:2012 - Grade 3B
- Type of liquid: clean water without suspended solids or abrasive material
- Maximum temperature of the liquid 50°C
- Maximum operating pressure 7 bar
- Maximum intake height recommended 6m with foot valve

MOTOR

- Closed, air ventilated (TEFC)
- 2 poles, 50 Hz (n=2850 rpm)
- IE3 three-phase AC (P2 ≥ 0.75 kW)
- Protection level: IP55
- Insulation class: F
- Single-phase power supply with capacitor permanently on and thermal protection built into the motor casing.



APPLICATIONS

- Pressurising and supply
- Irrigation
- Cleaning of pools with chlorinated water
- Cleaning of pools with sea water
- Pumping of aggressive liquids (compatibly with the type of materials)



MULTI EVO-SP

MULTISTAGE CENTRIFUGAL PUMPS - SPECIAL

CONSTRUCTION FEATURES

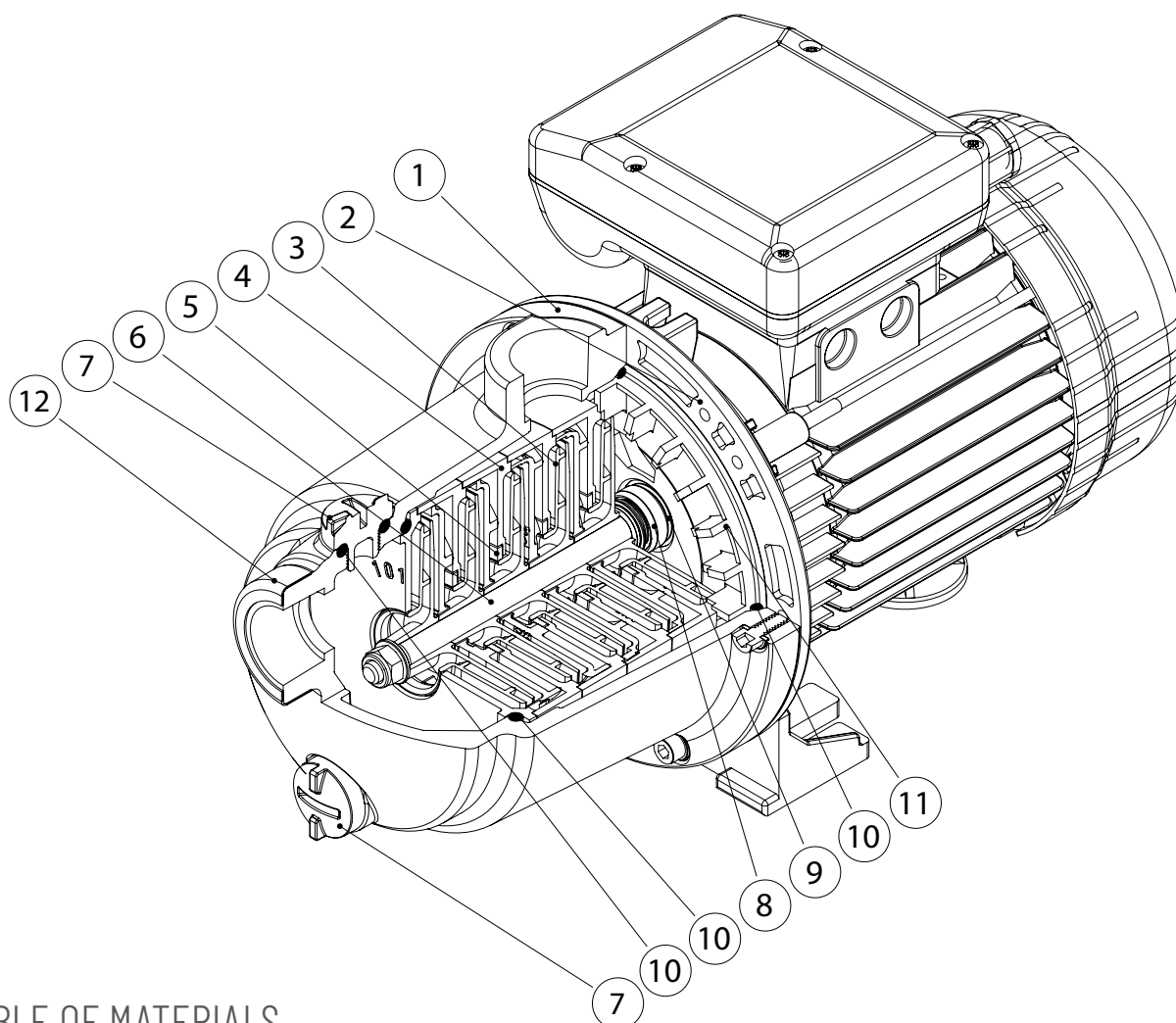


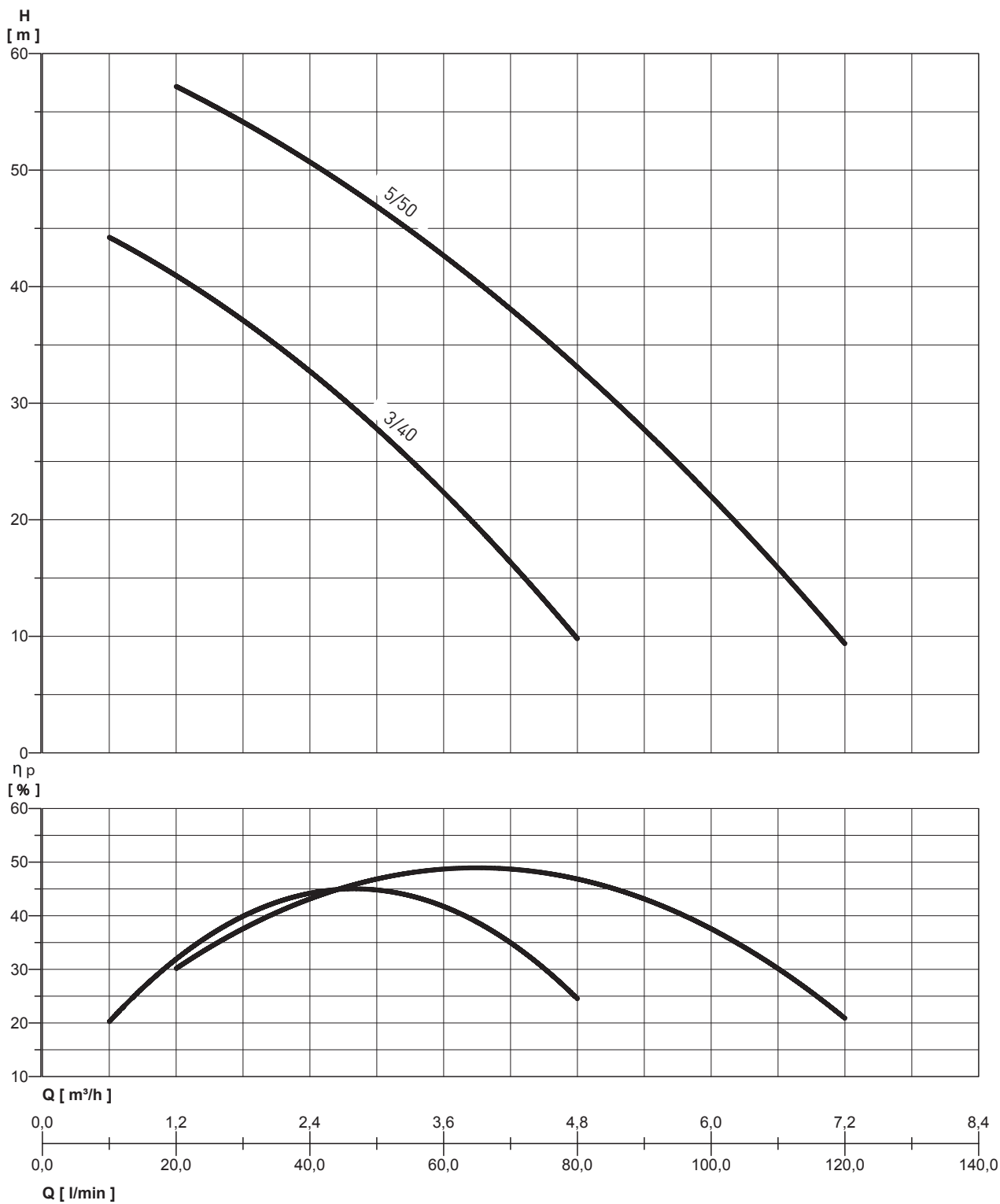
TABLE OF MATERIALS

Ref.	Component	Material
1	Pump body	PPO reinforced with fibreglass
2	Motor casing	Die-cast aluminium
3	Impeller	PPO reinforced with fibreglass
4	Diffuser	PPO reinforced with fibreglass
5	Wear ring	PTFE
6	Shaft (hydraulic part)	Stainless steel Europe: EN10088-1 X2CrNiMo17-12-2 (1.4404) USA: AISI 316
7	Inlet / outlet caps	Polyamide 6.6
8	Mechanical seal	Carbon graphite / NBR / SS Europe: EN10088-1 X2CrNiMo17-12-2 (1.4404) USA: AISI 316
9	Counterface	Ceramic / NBR
10	Gaskets	NBR 70 Shore A
11	Seal holder plate	PPO reinforced with fibreglass
12	Reinforcing ring	Stainless steel Europe: EN10088-1 X5CrNi18-10 (1.4301) USA: AISI 304

MULTI EVO-SP 3 - 5

MULTISTAGE CENTRIFUGAL PUMPS - SPECIAL

HYDRAULIC PERFORMANCE

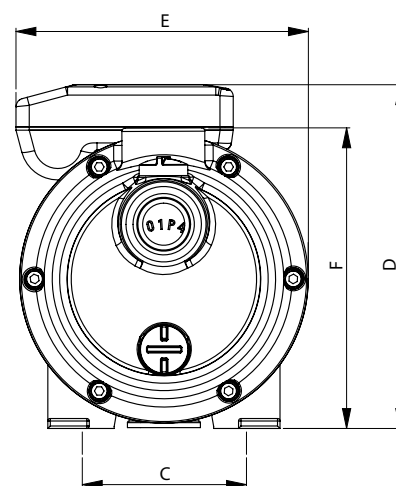
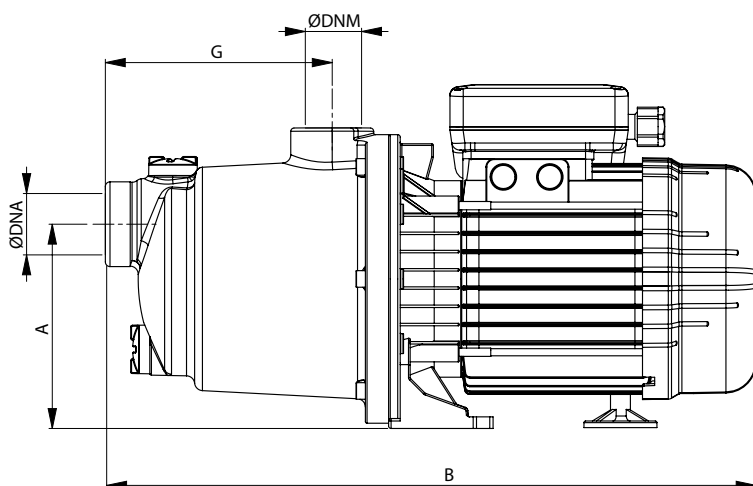


MULTI EVO-SP 3 - 5

MULTISTAGE CENTRIFUGAL PUMPS - SPECIAL

PERFORMANCE TABLE

MODEL	Nominal power (P2)		Absorbed power (P1)		VOLT. (V)	In (A)	µF	Q	total head in water column metres										
	HP	kW	HP	kW					l/min	10	20	30	40	50	60	80	100	120	
									m ³ /h	0,6	1,2	1,8	2,4	3	3,6	4,8	6	7,2	
MULTI EVO-SP 3-40 M	0,74	0,55	1,1	0,8	1~230	3,7	12,5												
MULTI EVO-SP 3-40 T	0,71	0,53	1,05	0,78	3~230/400	2,7 / 1,55	--		44	41	37,5	33	27,5	22	10				
MULTI EVO-SP 5-50 M	1,27	0,95	1,8	1,35	1~230	6,2	20												
MULTI EVO-SP 5-50 T	1,2	0,9	1,68	1,25	3~230/400	3,8 / 2,2	--		57	54	51	47	43	32,5	22	9,5			



OVERALL DIMENSIONS AND WEIGHTS

MODEL	Dimensions mm.									WEIGHTS (Kg)
	A	B	C	D	E	F	G	DNA	DNM	
MULTI EVO-SP 3-40 M	123	373	99	199	177	182	137	1"	1"	6,9
MULTI EVO-SP 3-40 T	123	373	99	199	177	182	137	1"	1"	6,9
MULTI EVO-SP 5-50 M	123	392	99	207	177	182	137	1"	1"	10,1
MULTI EVO-SP 5-50 T	123	392	99	207	177	182	137	1"	1"	10,1